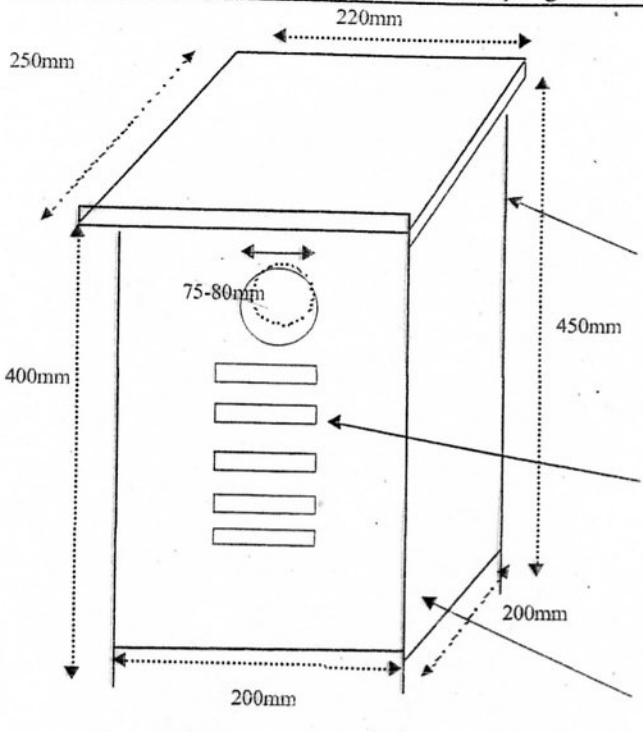


Help Baffle the Common Myna

The best way to restore native birds to your garden is to provide an environment that favours them over introduced species. A nesting box designed to exclude Mynas may help. Feedback from people who have experimented with anti-myna nestbox designs emphasise the importance of the baffle or hood completely enclosing the nestbox entrance, apart from the underside. There should also be no places for Mynas to perch on, either on the box itself or close by, as they may continue to harass native species attempting to nest. The roof of the box may be steeply sloped to ensure this.



Rosella Nest Box

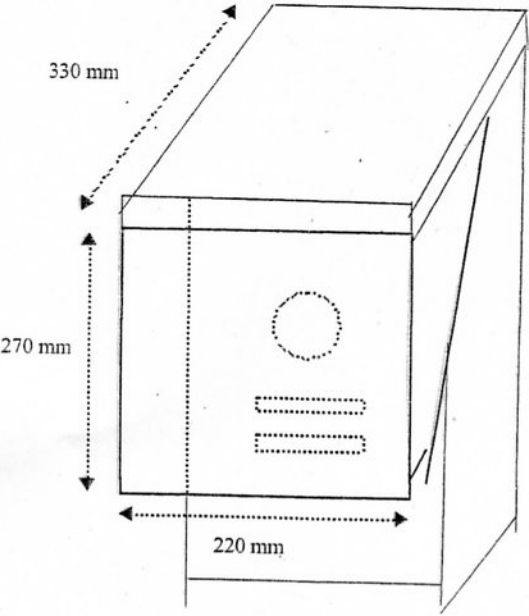
Lid hinged at rear to facilitate cleaning (and removal of pest species nesting materials)

Router-grooved ladder or roughened surface (both inside and out)

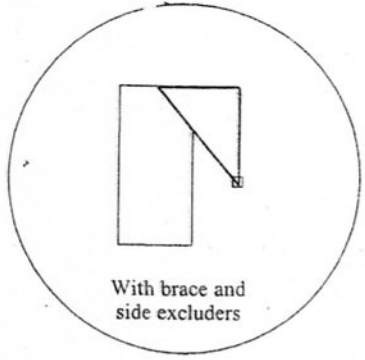
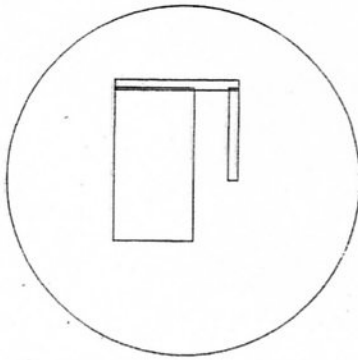
Drill drainage holes in the bottom

- Materials:**
 19mm+ timber (Marine Ply preferred - expensive but long lasting)
 2 x Brass hinges
 PVA Wood Glue
 8-10 45mm Wood screws
 Magnetic latch
 Paint

...with Anti-Myna Baffle.



Side View



With brace and side excluders

Produced by BIRDS AUSTRALIA (the former RAOU) from a design by Tim Gunn. Feedback on effectiveness and modifications would be appreciated. Please send to Hugo Phillipps, BIRDS AUSTRALIA, 415 Riversdale Road, HAWTHORN EAST 3123.